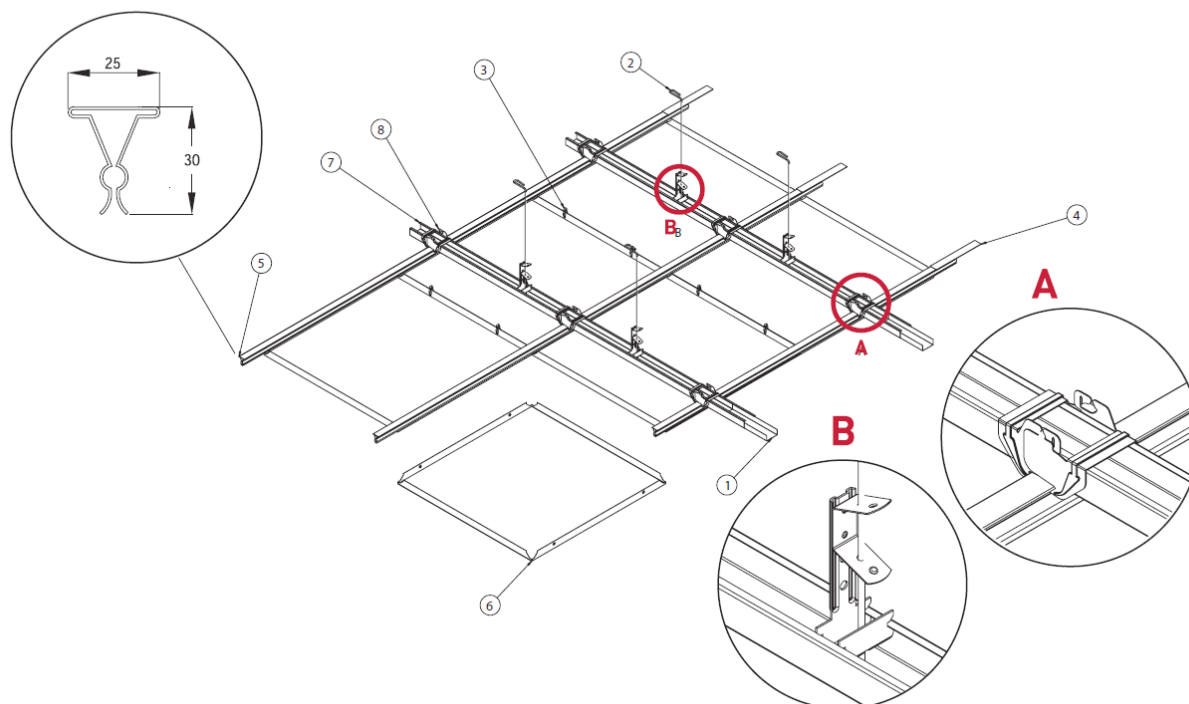



DOUBLE SUSPENSION

CLIP-IN 45 - 90



1	Art. 45043 Side connection double structure
2	Art. 45038 Fixation kit double structure
3	Art. 45045 Clips
4	Art. 45031 Suspension profile connection
5	Art. 45030 Suspension main profile (L 4m)
6	Art. 45000 Clip-in panel
7	Art. 45036 Double construction profile (L 4m)
8	Art. 45037 Connection set double structure

 A double suspension can also be used. The primary structure is suspended using the suspension wires and a fixation kit with integrated regulating spring. The clip-in profile is fastened to the primary structure with a connection set. The maximum distance between the profiles of the upper structure is 1500 mm.