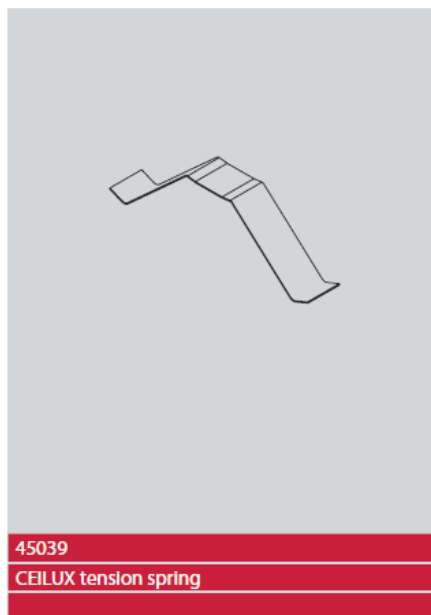
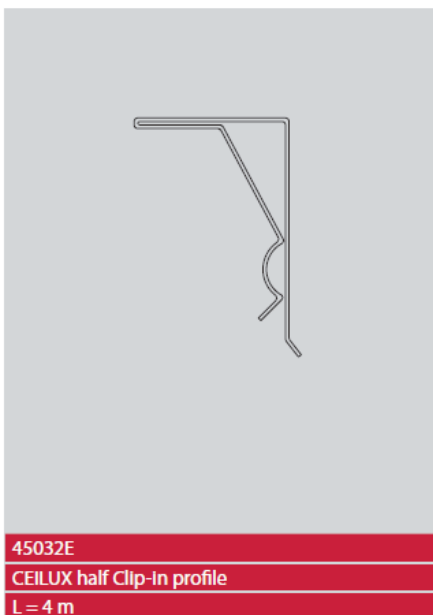
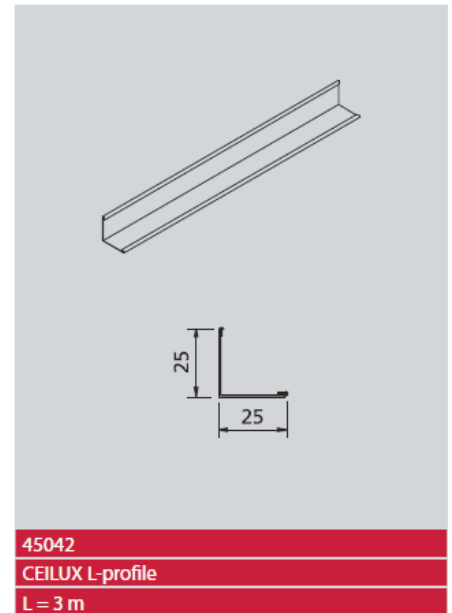
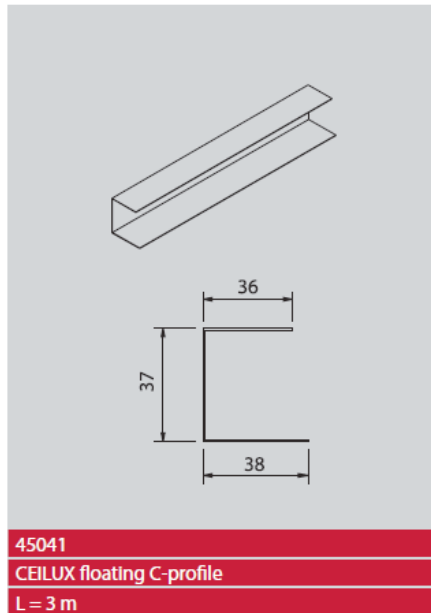
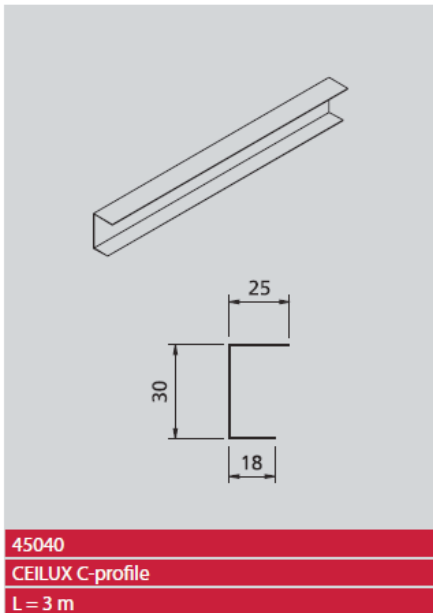



## EDGE FINISHING

### CLIP-IN 45 - 90



-  The edges can be finished with an L profile or a C profile. Tension springs (art. 45039) can optionally be delivered with the C profile to ensure that the tile is pressed firmly against the edge finishing. All edge finishing profiles are supplied at lengths of 3m. If the edges are finished with uncut tiles, one can opt for a half clip-in profile (L = 4m). For floating structures, you can also use a C-profile for a floating overhang. This profile comes with clamp studs that are clicked in to the clamp profile. One must attach small clip-in profiles on the top in order to fasten the special C-profile.