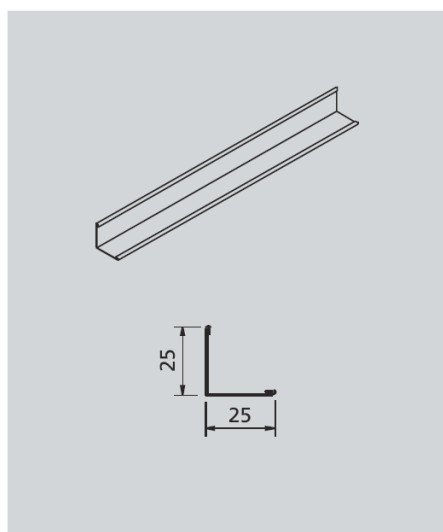


EDGE FINISHING

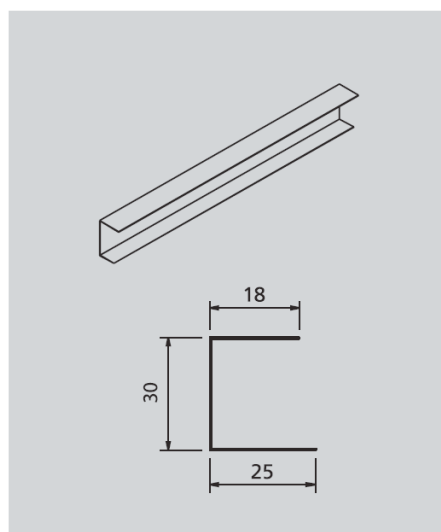
LAY-IN FLAT - DROP - COLORLINE



45042

CEILUX L-profile

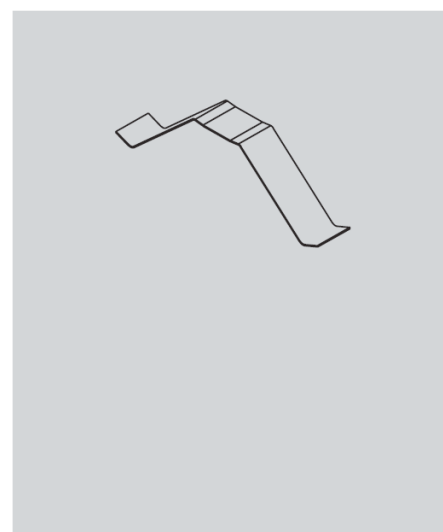
L = 3 m



45040


CEILUX C-profile

L = 3 m



45039

CEILUX tension spring

- 
 The edges can be finished with an L profile or a C profile.
 Tension springs (art. 45039) can be delivered with the C profile (optional) to ensure that the tile is pressed firmly against the edge finishing.
 Because Lay-in DROP tiles are lowered by 8 mm, the edge profiles must be installed 8 mm below the suspension structure.
 To compensate the height difference between the structure profile and the edge finishing, a leveling cube (art. 46033) is installed. All edge profiles are supplied at lengths of 3 m.