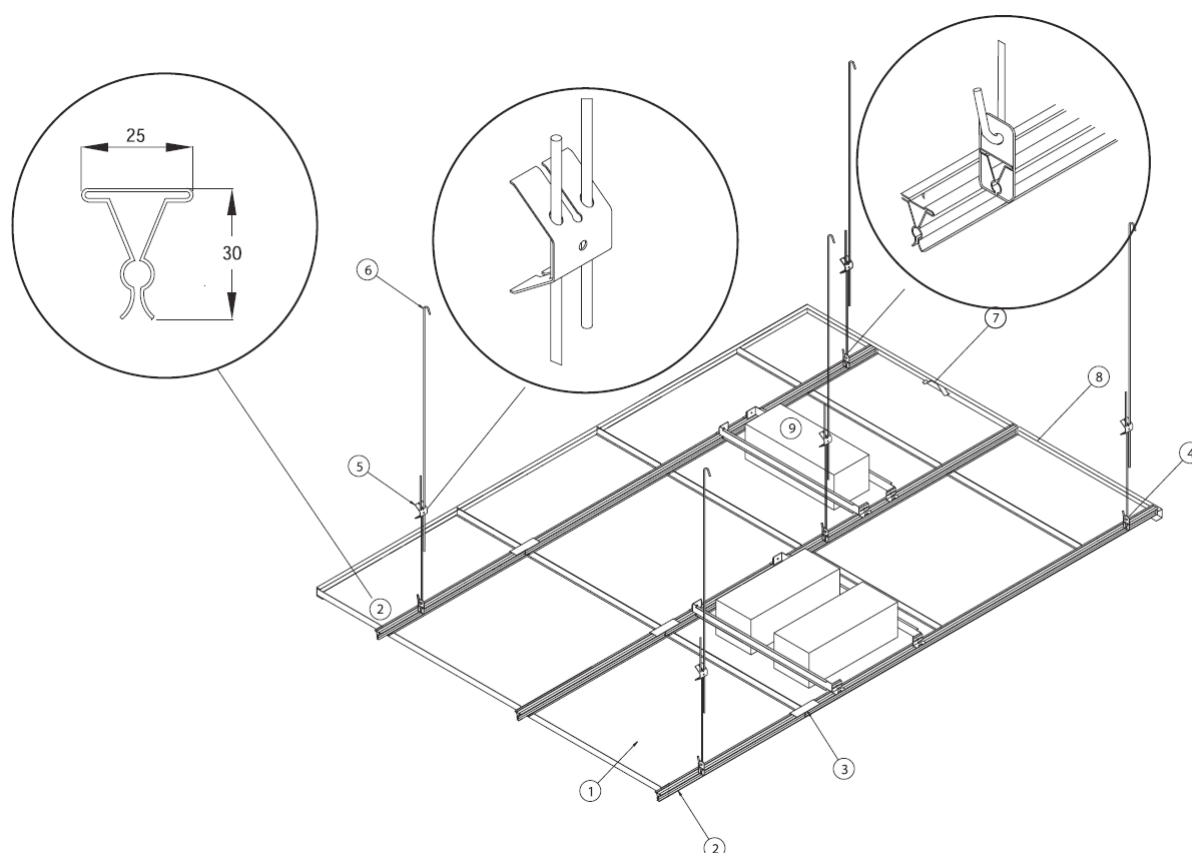



SINGLE SUSPENSION

CLIP-IN 45 - 90



1	Art. 45000 Clip-in panel
2	Art. 45030 Suspension main profile [L 4m]
3	Art. 45031 Suspension profile connection
4	Art. 45032F 'Fred-lock' suspension bracket
5	Art. 45033 Adjustable spring
6	Art. 45034 Suspension wire (L 3m)
7	Art. 45039 Tension spring
8	Art. 45040 Edge finishing profile
9	CEILUX lighting module

 The panels are mounted into the clip-in clamp profile by means of 2 by 2 pressure blocks in the side faces of the panels. This clamp profile is produced from cold thermally galvanised 0.6 mm thick steel and has a standard length of 4 m. Profiles can be joined by means of a suspension profile connection that is to be ordered separately. The clamping profile is suspended using the "Fred-lock" suspension bracket which has a hole on top and 3 m length suspension wires ($\varnothing = 4$ mm). These wires are cut to size and folded on site to be suspended using quick-mount hangers with adjusting springs. The interface between each suspension point is maximum 1200 mm and depends on the requirements held out or applicable standards.