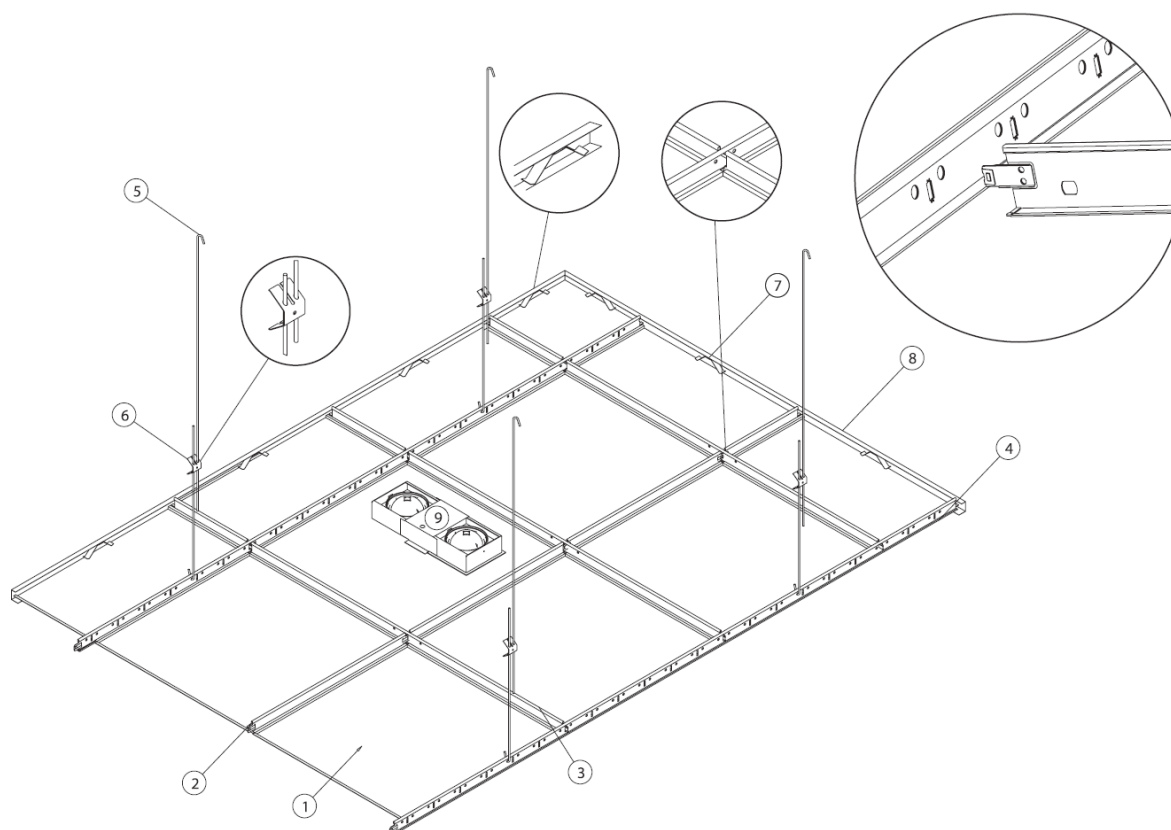


SUSPENSION STRUCTURE

LAY-IN FLAT - DROP - COLORLINE



1	Art. 46000 Lay-in panel
2	Lay-in suspension T15/T24 Colorline profile 0.6m
3	Lay-in suspension T15/T24 Colorline profile 1.2m
4	Lay-in suspension T15/T24 Colorline profile 3.6m
5	Art. 45034 Suspension wire
6	Art. 45033 Adjustable spring
7	Art. 45033 Tension spring
8	Art. 45040 Edge finishing profile (L 3m)
9	Ceilux lighting module

■ The LAY-IN structure of 15 mm or 24 mm consists of a main profile of 3600 mm into which the cross section profiles of 600 and 1200 mm are connected with a click in system.

The suspension hangers must be attached at a maximum interval of 1200 mm. The inlay profiles are hung up using the suspension wires. Cut the suspension wire of 3 m (Ø 4mm) and fold it to the desired length.

T-15 or Colorline profiles are used for the DROP tiles, T-24 profiles for the FLAT tiles. The ceiling is levelled using control springs.